



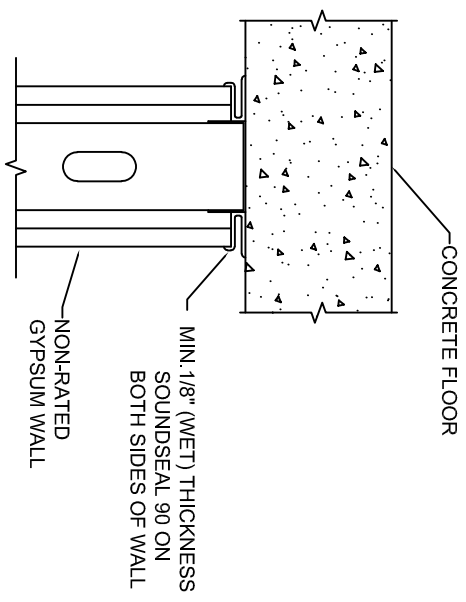
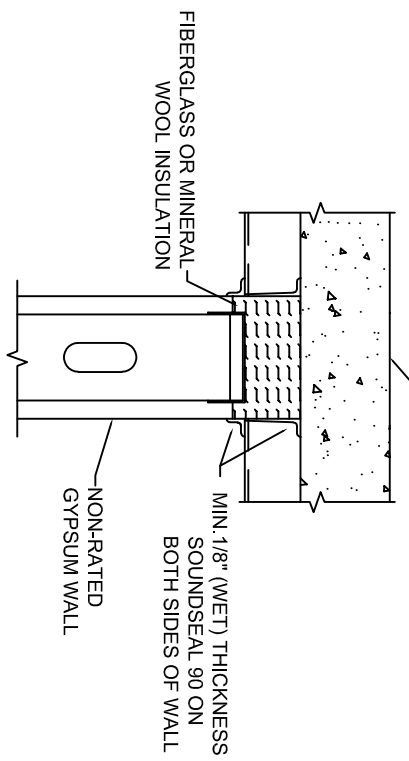
Everkem Diversified Products  
 5180 Indiana Avenue  
 Winston-Salem, NC 27106  
 1-800-638-3160  
 www.everkemproducts.com

Sheet 1 of 1  
 Scale NTS  
 Date 6-15-18

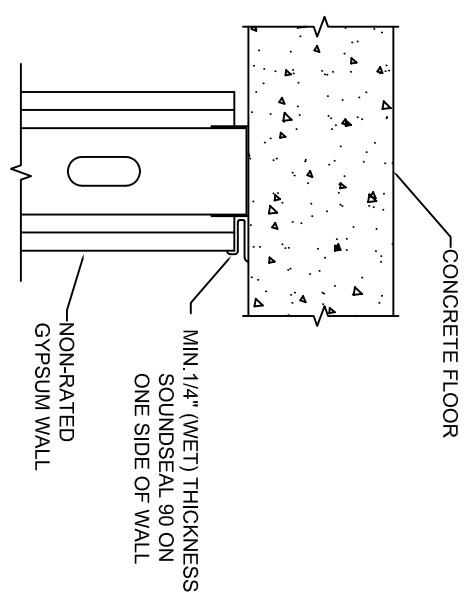
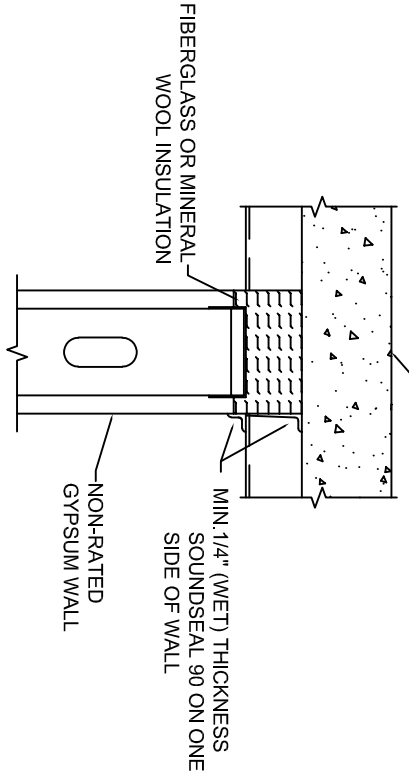
Drawing No.  
**061518**

**THROUGH PENETRATION DETAIL FOR NON FIRE-RATED SMOKE PARTITIONS - SPRAY APPLICATIONS (EXAMPLES)**

**TWO-SIDED APPLICATIONS**



**ONE-SIDED APPLICATIONS**



- LIMITATIONS:**
- EVERKEM'S SOUNDSEAL 90 MAY BE INSTALLED WHERE IT IS NECESSARY TO RESTRICT SMOKE MIGRATION THROUGH NON FIRE-RATED ASSEMBLIES.
  - NOT FOR FIRE-RATED ASSEMBLIES.
  - REFER TO TECHNICAL DATA SHEET FOR COMPLETE DETAILS ON INSTALLATION, SUITABLE APPLICATIONS, AND LIMITATIONS.
  - FOR APPLICATIONS THAT DO NOT MEET THE CONDITIONS ABOVE, CONTACT EVERKEM TECHNICAL SUPPORT.
  - THESE DETAILS REPRESENT GENERAL INSTALLATION GUIDELINES TO SATISFY SMOKE PARTITION SEALING REQUIREMENTS OF THE INTERNATIONAL BUILDING CODE (2003, 2006, OR 2009). OBTAIN AUTHORITY HAVING JURISDICTION APPROVAL PRIOR TO INSTALLATION.



Everkem Diversified Products  
 5180 Indiana Avenue  
 Winston-Salem, NC 27106  
 1-800-638-3160  
 www.everkemprouducts.com

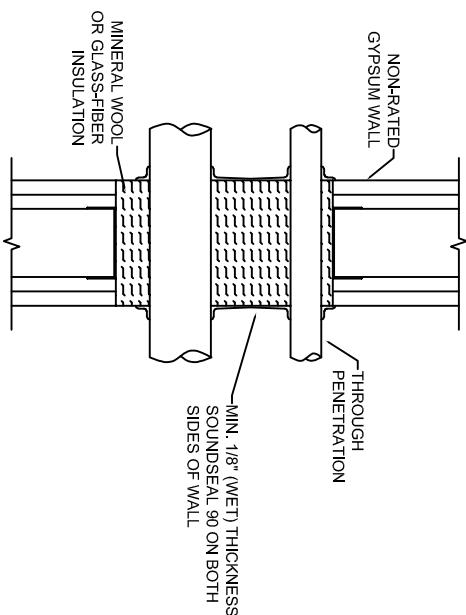
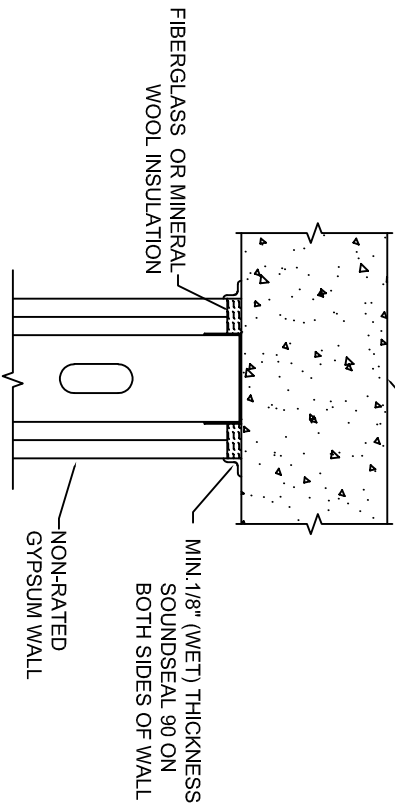
Sheet 1 of 1  
 Scale NTS  
 Date 6-15-18

Drawing No.

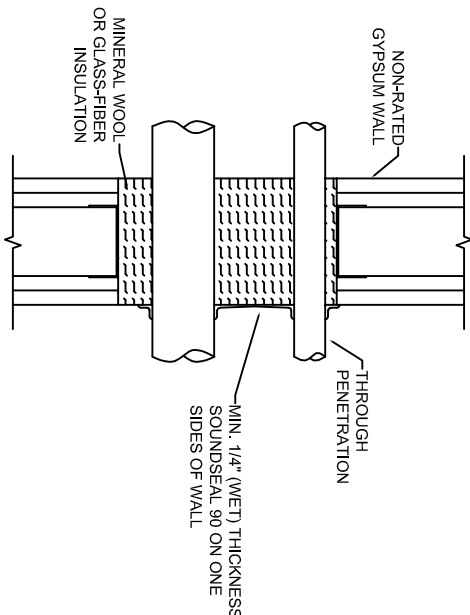
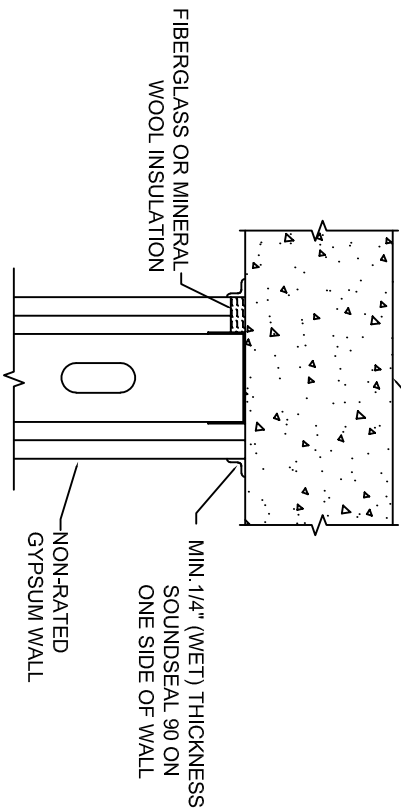
061518

THROUGH PENETRATION DETAIL FOR NON FIRE-RATED SMOKE PARTITIONS - SPRAY APPLICATIONS (EXAMPLES)

TWO-SIDED APPLICATIONS



ONE-SIDED APPLICATIONS



LIMITATIONS:

- EVERKEM'S SOUNDSEAL 90 MAY BE INSTALLED WHERE IT IS NECESSARY TO RESTRICT SMOKE MIGRATION THROUGH NON FIRE-RATED ASSEMBLIES.
- NOT FOR FIRE-RATED ASSEMBLIES.
- REFER TO TECHNICAL DATA SHEET FOR COMPLETE DETAILS ON INSTALLATION, SUITABLE APPLICATIONS, AND LIMITATIONS.
- FOR APPLICATIONS THAT DO NOT MEET THE CONDITIONS ABOVE, CONTACT EVERKEM TECHNICAL SUPPORT.
- THESE DETAILS REPRESENT GENERAL INSTALLATION GUIDELINES TO SATISFY SMOKE PARTITION SEALING REQUIREMENTS OF THE INTERNATIONAL BUILDING CODE (2003, 2006, OR 2009). OBTAIN AUTHORITY HAVING JURISDICTION APPROVAL PRIOR TO INSTALLATION.