

# SOUND SEAL 90

## DRAFT / SMOKE / ACOUSTICAL SOUND SEALANT - SPRAY GRADE

**PRODUCT NAME**

Sound Seal 90 - Draft, Smoke, Acoustical Sound Sealant - Spray Grade

**MANUFACTURER**

Everkem Diversified Products  
 120 Regent Drive, Winston Salem, NC 27103  
 PH: 1-800-638-3160 | FAX: (336) 661-7969

**PRODUCT DESCRIPTION**

Sound Seal 90 is a high-quality latex-based sealing compound used as an essential component in construction assemblies for achieving and maintaining the required Sound Transmission Class (STC) rating as per the International Building Code (IBC) for airborne sound.

Sound Seal 90 prevents the passage of smoke and toxic gases through **non-fire-rated** penetrations and joints in smoke barrier partitions as required by the IBC. Sound Seal 90 is permanently flexible and is suitable for minimally dynamic joints.

**APPLICATIONS**

- Top and bottom runners prior to application of drywall
- Outer edge perimeter joints of drywall
- Cut-outs and utility penetrations
- Bottom of wall, wall to wall, and head of wall joints in smoke partitions
- Penetrations for metallic, insulated metallic and non-metallic pipe, ducts, conduit, cables and wires in non-fire rated smoke partitions and acoustical assemblies.

**ADVANTAGES**

- Available in Gun-grade and Spray-grade options
- Mold and mildew resistant
- High adhesion, tough long-lasting bond
- Permanently flexible
- Paintable

**LIMITATIONS**

- Not for use in Fire-Rated floor or wall assemblies

**AVAILABLE COLORS**

Sound Seal 90 is available in White

**TECHNICAL DATA**

TYPICAL PHYSICAL PROPERTIES	
Typical Uncured Properties	
Chemistry:	Acrylic Polymer
Uncured State:	Glossy paste
Odor:	Low acrylic odor
Density/Weight; Solids Content by Weight and Volume:	11.5 lb/gal; 76.8%; 68.7%
pH:	8 to 9
Coverage:	12.8 sq. ft./gal @ 1/8"
Application Temperature:	60°F to 90°F (16°C to 32°C)
Tooling Time:	10 - 15 minutes
Drying Time:	Tack-free: 2 hours; Dry-through: 24 to 48 hours
Full Cure Time:	3 - 7 days
Storage Temperature:	40°F - 95°F (4.4°C to 35°C)
Shelf Life:	12 months

# SOUND SEAL 90

## DRAFT / SMOKE / ACOUSTICAL SOUND SEALANT - SPRAY GRADE

**TECHNICAL DATA [CONT]**

### TYPICAL PHYSICAL PROPERTIES

#### Typical Cured Properties

Curing conditions of 75°F (24°C) and 50% relative humidity)

Cured State:	Rubbery solid
ASTM-E90:	Tested to ASTM-E90 "Standard Test Method for Laboratory Measurement of Airborne Sound Transmission Loss of Building Partitions and Elements"
ASTM-C919:	Tested ASTM-C919 "Standard Practice for Use of Sealants in Acoustical Applications"
ASTM-C834:	Meets ASTM-C834 "Standard Specification for Latex Sealants"
ASTM-E84:	Tested to "Standard Test Method for Surface Burning Characteristics of Building Materials" Flame Spread: 20; Smoke Developed: 5
ASTM-G21:	Tested to ASTM-G21 "Standard Practice for Determining Resistance of Synthetic Polymeric Materials to Fungi" 28 days: 0
LEED v4 Emissions:	Tested to CDPH Standard Method / CA Section 01350 Emissions Testing
Service Temperature:	< 185°F (85°C)
Paintability:	Paintable with latex paint after 2 hours; with oil-based paint after 24+ hours
Freeze/Thaw Capabilities:	Excellent - 5 cycles
V.O.C Content:	23.3 g/l

**APPLICABLE STANDARDS  
& SPECIFICATIONS**

#### SPECIFIED DIVISIONS

- Section 07 90 00 - Joint Protection
- Section 07 95 00 - Expansion Control
- Section 09 20 00 - Plaster and Gypsum Board
- Section 09 80 00 - Acoustical Treatment

#### APPLICABLE STANDARDS/SPECIFICATIONS

- ASTM-E90 Standard Test Method for Laboratory Measurement of Airborne Sound Transmission Loss of Building Partitions and Elements
- ASTM-C919 Standard Practice for Use of Sealants in Acoustical Applications
- ASTM-C834 Standard Specification for Latex Sealants
- ASTM-E84 Standard Test Method for Surface Burning Characteristics of Building Materials
- ASTM-G21 Standard Practice for Determining Resistance of Synthetic Polymeric Materials to Fungi

#### ECOSEAL STANDARDS

- CDPH SM / CA Section 01350 Emissions Testing for LEED v4 Compliance
- V.O.C. Content: 23.3 g/L

**INSTALLATION  
SURFACE PREPARATION**

Spray application of Sound Seal 90 requires airless spray equipment that meets the following:

- Working Pressure: 2500 PSI (72 Bar) minimum
- Delivery: 0.72 US gpm (2.7 l/min) minimum
- Spray Tip Opening: 0.023" - 0.026" recommended
- All seals and contact surfaces should be suitable for latex emulsion contact.

Surfaces should be clean of any debris or material that may prevent or deter adhesion. Such debris include, but not limited to: dirt, frost, loose particles, existing sealants, grease, oils, rust, etc.

# **SOUND SEAL 90**

## **DRAFT / SMOKE / ACOUSTICAL SOUND SEALANT - SPRAY GRADE**

**INSTALLATION (CONT.)**  
APPLICATION

1. A minimum of  $\frac{3}{8}$ " fluid line is required, a  $\frac{1}{2}$ " line is preferred. For long hose runs or lifts to higher elevations, consult pump manufacturer. A reversible spray tip is recommended for most applications. A reversible spray tip is recommended. A 6" fan pattern is recommended to reduce overspray.
  2. Apply sealant on the underside of all runners at the ceiling and floor prior to the installation of drywall, the outer edge perimeter joints, cut-outs, and utility penetrations to ensure the required STC is achieved or maintained.
  3. Sealant normally "skins over" in 15 minutes, dries to touch in 2 hours, and cures and in 24 to 48 hours. Allow 3 to 7 days for full cure dependent on ambient conditions.
- 

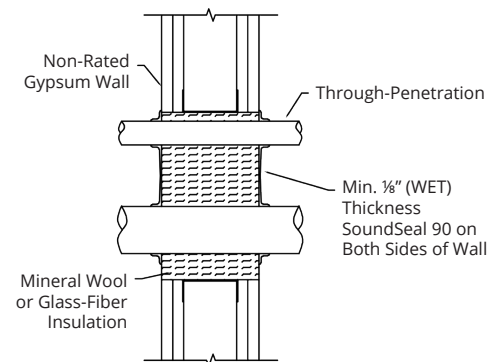
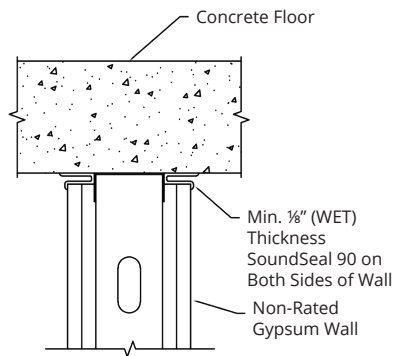
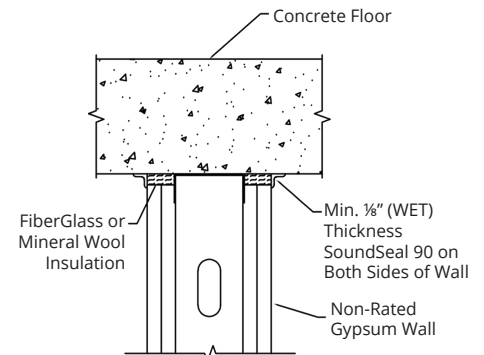
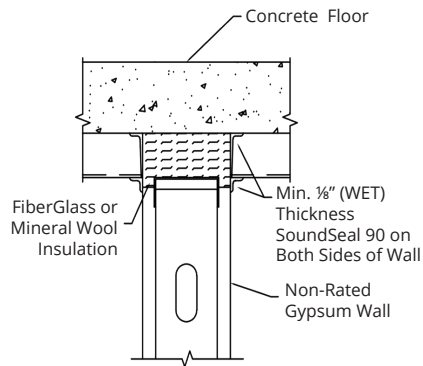
**SEE PAGE 4 FOR INSTALLATION DRAWINGS**

# SOUND SEAL 90

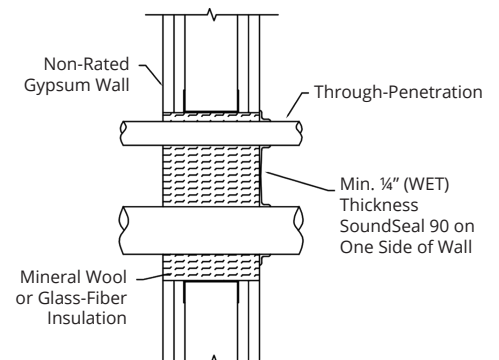
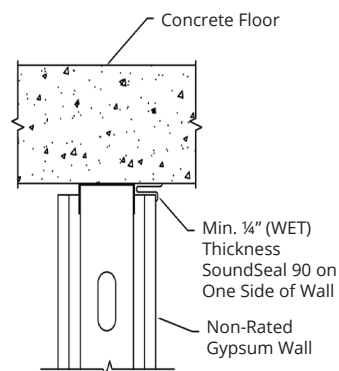
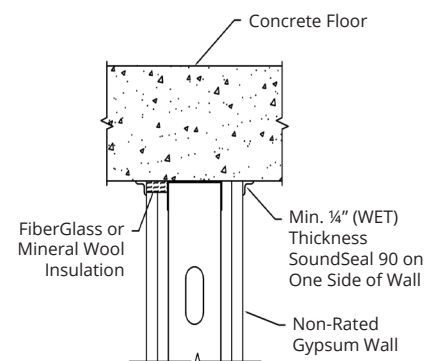
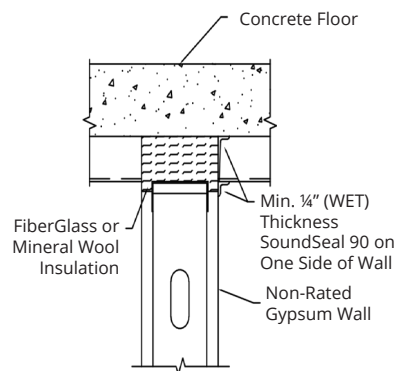
## DRAFT / SMOKE / ACOUSTICAL SOUND SEALANT - SPRAY GRADE

**INSTALLATION (CONT.)**  
APPLICATION [CONT]

### DRAWINGS FOR NON FIRE-RATED SMOKE PARTITIONS TWO-SIDED APPLICATIONS



### ONE-SIDED APPLICATIONS



# SOUND SEAL 90

## DRAFT / SMOKE / ACOUSTICAL SOUND SEALANT - SPRAY GRADE

**INSTALLATION (CONT.)**  
CLEANUP

Excess caulk should be cleaned off tools and nonporous surfaces while it is in the uncured state using a dry cloth or paper towels. Excessive amounts may require the use of a solvent such as acetone or mineral spirits. After curing, excess sealant must be cut or scraped away.

**AVAILABILITY**

Sound Seal 90 and other Everkem products are available from stocking distributors nationwide or direct from the manufacturer. For the name and telephone number of the nearest Everkem representative, call the number at the end of this document or visit [www.everkemproducts.com](http://www.everkemproducts.com)

**PACKAGING OPTIONS**

PACKAGING OPTIONS			
Part #	Description	Packaging	Color
SS90-5SG	Sound Seal 90 - Spray Grade - 5 Gallon (106L) Pail	Each	White

**MAINTENANCE**

Inspect sealant at a minimum of every five years. If sealant or bond of sealant is damaged, completely remove or cut away sealant in the damaged area, clean surface, and reapply sealant.

**TECHNICAL SERVICES**

Everkem representatives are available to assist you in selecting the sealant or adhesive appropriate for your application. For further assistance contact your local Everkem Diversified Products representative, call our corporate office at 1-800-638-3160, or contact us via our website at [www.everkemproducts.com](http://www.everkemproducts.com)

**WARRANTY**

Everkem Diversified Products warrants this product's performance provided it is properly stored and applied within 12 months. If when applied as directed this material proves to be defective, return the remaining product and proof of purchase for refund or replacement of product exclusive of labor or cost of labor. This is the sole and exclusive remedy for defects of product failure. The determination of eligibility for this warranty shall be made at the sole discretion of Everkem Diversified Products and any decision made shall be final. This warranty is in lieu of any other warranties, expressed or implied, including but not limited to a warranty of merchantability or fitness for a particular purpose, and in no instance will Everkem Diversified Products be liable for damages in excess of the purchase price, except where such exclusion or limitation is prohibited by state law. Users must read and follow the directions of the current Technical Data Guide and SDS prior to product use. The user determines the suitability of the product intended for use and assumes all risks. Recommendations for the use of this product are based on tests we believe to be reliable. The manufacturer and seller are not responsible for results where the product is used under conditions not in strict accordance with our published recommendations and in applications considered suitable for this product. Everkem Diversified Products shall not be responsible for the use of this product in a manner to infringe upon any patent or any other intellectual property rights held by others.

# SOUND SEAL 90

## DRAFT / SMOKE / ACOUSTICAL SOUND SEALANT - SPRAY GRADE

### CAUTIONS



**WARNING: SUSPECTED OF CAUSING CANCER.** Wear protective gloves. Wear eye or face protection. Wash hands thoroughly after handling. **IF ON SKIN:** Wash with soap and water. Remove contaminated clothing, washing before reuse. If skin irritation occurs: Get medical attention. **IF IN EYES:** Rinse cautiously with water. Remove contact lenses if present and easy to do. Continue rinsing. If eye irritation persists: Get medical attention. **IF INGESTED:** Wash mouth with water. Remove victim to fresh air. Give small quantities of water to drink. Do not induce vomiting. Store locked up. Dispose of contents in accordance with all local, regional, national, and international regulations.



**WARNING:** This product can expose you to chemicals including Titanium Dioxide and Ethylbenzene, which are known to the state of California to cause cancer. For more information go to [www.P65Warnings.gov](http://www.P65Warnings.gov)

Everkem Diversified Products  
120 Regent Drive | Winston-Salem, NC | 27103  
1-800-638-3160 | [www.everkemproducts.com](http://www.everkemproducts.com)

Last Revised: 2/2022