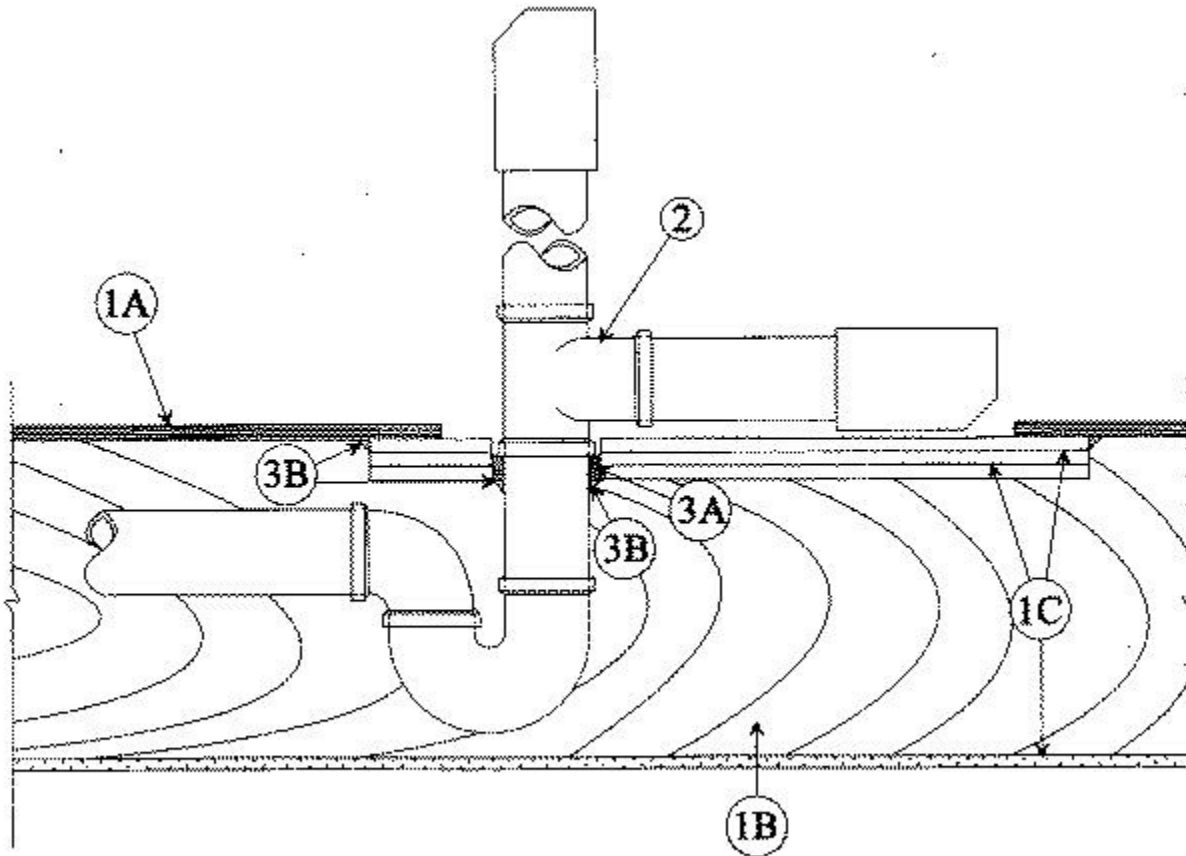


System No. F-C-2423

March 23, 2018

F Rating — 1 Hr

T Rating — 1Hr



1. Floor-Ceiling Assembly — The fire-rated solid or trussed lumber joist floor-ceiling assembly shall be constructed of the materials and in the manner specified in individual L500 Series Floor-Ceiling Designs in the UL Fire Resistance Directory. The general construction details of the floor-ceiling assembly are summarized below:

A. Flooring System — Lumber or plywood subfloor with finish floor of lumber, plywood or **Floor Topping Mixture*** as specified in the individual Floor-Ceiling Design. Rectangular cutout in flooring to accommodate the bathtub drain piping (Item 2) to be max 8 by 12 in. (203 mm by 305 mm)

B. Wood Joists — Nom 2 by 10 in. (51 mm by 254 mm) lumber joists spaced 16 in. (406 mm)OC with nom 1 by 3 in. (25 mm by 76 mm) lumber bridging and with ends firestopped.

C. Gypsum Board* — Nom 4 ft (1219 mm) wide by 5/8 in. (16 mm) thick as specified in the individual Floor-Ceiling Design. Wallboard secured to joists as

specified in the individual Floor-Ceiling Design. Three pieces of gypsum wallboard, each min 4 in. longer and wider than the cutout in the flooring, screw attached to bottom of flooring concentric with cutout. In addition, min 1/2 in. (13 mm) diam by 2 in. (51 mm) high wavy bead of Firestop 814+ to be applied to the top perimeter of each piece of wallboard prior to its installation. Diam of opening hole-sawed through both layers of the gypsum wallboard patch to be 1/2 in. (13 mm) larger than outside diam of bathtub drain piping (Item 2).

2. **Drain Piping** — Nom 2 in. diam (or smaller) Schedule 40 cellular or solid core PVC, ABS or SDR17 CPVC pipe and drain fittings cemented together and provided with PVC, ABS or CPVC bathtub waste/overflow fitting.

3. **Firestop System** — The firestop system shall consist of the following:

A. **Fill, Void or Cavity Material*** — **Wrap Strip** — Nom 1/4 in. (6 mm) thick by 1 in. (25 mm) wide intumescent wrap strip. One wrap strip is continuously wrapped around the outer circumference of the drain pipe within joist cavity and held in place with pieces of aluminum tape. Wrap strip slid into annular space of cut-out in gypsum wallboard such that the bottom surface of the wrap strip is flush with the bottom surface of the gypsum wallboard.

EVERKEM DIVERSIFIED PRODUCTS INC — Flame Tech Wrap Strip

B. **Fill, Void or Cavity Material*** — **Caulk** — Min 1/2 in. (13 mm) diam bead of caulk to be applied around the perimeter of the gypsum wallboard at its interface with the wood floor. Additional 1/2 in. (13 mm) diam bead to be applied to the bottom of the wrap strip at its interface with the drain pipe.

EVERKEM DIVERSIFIED PRODUCTS INC — Firestop 814+

* Indicates such products shall bear the UL or cUL Certification Mark for jurisdictions employing the UL or cUL Certification (such as Canada), respectively.