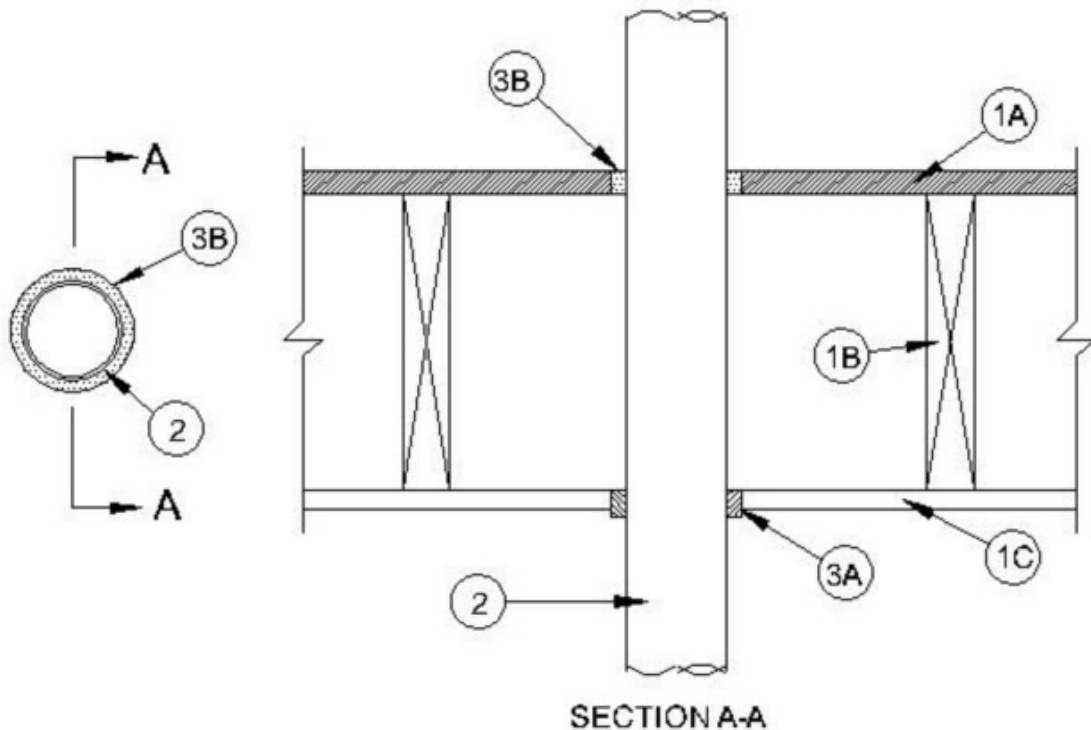


System No. F-C-2422

February 09, 2018

F Rating — 1 Hr

T Rating — 1 Hr



1. Floor - Ceiling Assembly — The 1 hr fire-rated wood joist floor-ceiling assembly shall be constructed of the materials and in the manner specified in the individual L500 Designs in the UL Fire Resistance Directory, as summarized below:

A. Flooring System — Lumber or plywood subfloor with finish floor of lumber, plywood or **Floor Topping Mixture*** as specified in the individual Floor-Ceiling Design. Max diam of floor opening is 4 in. (102 mm).

B. Wood Joists — Nom 10 in. (254 mm) deep (or deeper) lumber, steel or combination lumber and steel joists, trusses or **Structural Wood Members*** with bridging as required and with ends firestopped.

C. Gypsum Board* — Nom 5/8 in. (16 mm) thick as specified in the individual Floor-Ceiling Design. Wallboard secured to joists as specified in the individual Floor-Ceiling Design. Max diam of ceiling opening is 4 in. (102 mm).

2. Through Penetrants — One nonmetallic pipe to be centered within the firestop system. The annular space between pipe and periphery of opening shall be nom 1/4 in. Pipe to be rigidly supported on both sides of floor assembly. The following types and sizes of nonmetallic pipes may be used:

A. Polyvinyl Chloride (PVC) Pipe — Nom 3 in. (76mm) Schedule 40 solid core PVC or cellular core PVC (ccPVC) pipe for use in closed (process or supply) or vented (drain, waste or vent) piping systems.

B. Acrylonitrile Butadiene Styrene (ABS) Pipe — Nom 3 in. (76mm) Schedule 40 solid core ABS or cellular core ABS (ccABS) for use in closed (process or supply) or vented (drain, waste or vent) piping systems.

3. Firestop System — The firestop system shall consist of the following:

A. Fill, Void or Cavity Material* - Wrap Strip — One layer of nom 1/4 in. (6 mm) thick by 2 in. (51 mm) wide intumescent wrap strip tightly wrapped around the outer circumference of the pipe with ends butted and held in place with foil tape. Wrap strip slid into the annular space with the bottom edge of the wrap strip extending 1/4 in. (6 mm) below gypsum board ceiling.

EVERKEM DIVERSIFIED PRODUCTS INC — Flame Tech Wrap Strip

B. Fill, Void or Cavity Material* - Caulk — Min 3/4 in. (19 mm) thickness of fill material applied within annulus, flush with top surface of floor.

EVERKEM DIVERSIFIED PRODUCTS INC — Firestop 814+

*** Indicates such products shall bear the UL or cUL Certification Mark for jurisdictions employing the UL or cUL Certification (such as Canada), respectively.**