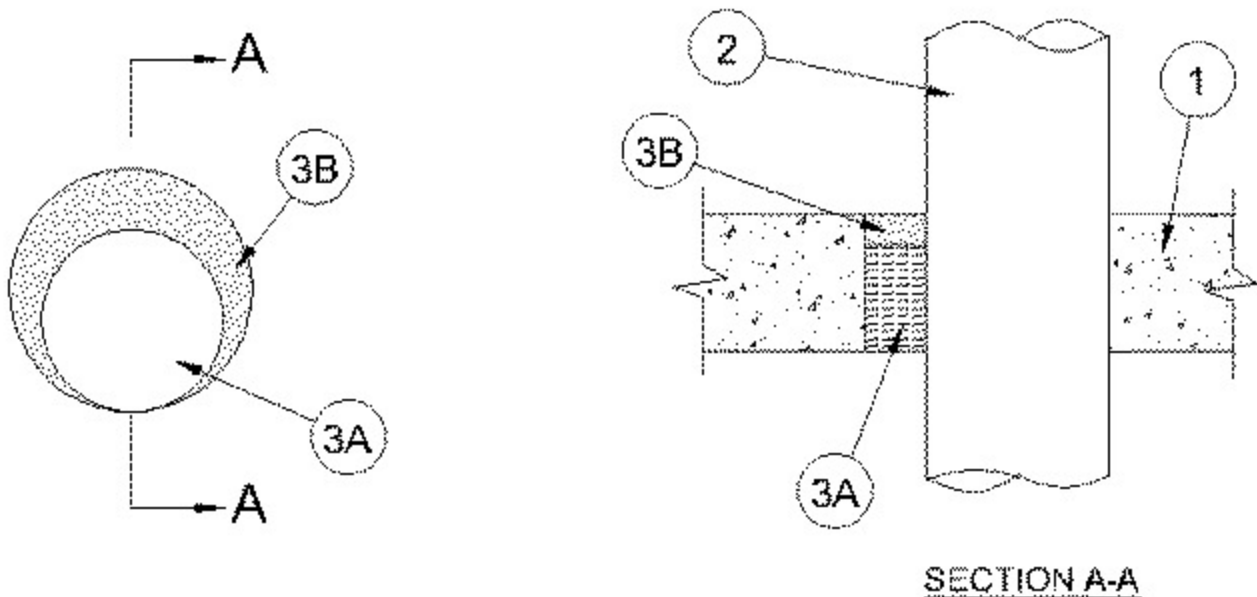


System No. C-AJ-1549

October 11, 2005

F Rating — 2 Hr

T Rating — 1/4 Hr



1. **Floor or Wall Assembly** — Min 4-1/2 in. (114 mm) thick reinforced lightweight or normal weight (100-150 pcf or 1600-2400 kg/m³) concrete floor or min 5-1/2 in. (140 mm) thick reinforced lightweight or normal weight (100-150 pcf or 1600-2400 kg/m³) concrete wall. Wall may also be constructed of any UL Classified **Concrete Block**. Max diam of opening is 21-3/8 in. (543 mm).

See **Concrete Blocks** (CAZT) category in the Fire Resistance Directory for names of manufacturers.

2. **Through Penetrants** — One metallic pipe, conduit or tubing to be installed either concentrically or eccentrically within the firestop system. The annular space between pipe, conduit or tubing and edge of through opening shall be min 0 in. (point contact) to max 1-7/8 in. (48 mm). Pipe, conduit or tubing to be rigidly supported on both sides of floor or wall assembly. The following types and sizes of metallic pipes, conduits or tubing may be used:

- A. **Steel Pipe** — Nom 18 in. (457 mm) diam (or smaller) Schedule 10 (or heavier) steel pipe.
- B. **Conduit** — Nom 6 in. (152 mm) diam (or smaller) rigid steel conduit.
- C. **Conduit** — Nom 4 in. (102 mm) diam (or smaller) steel electrical metallic tubing.
- D. **Iron Pipe** — Nom 18 in. (457 mm) diam (or smaller) cast or ductile iron pipe.

E. **Copper Tubing** — Nom 6 in. (152 mm) diam (or smaller) Type L (or heavier) copper tube.

F. **Copper Pipe** — Nom 6 in. (152 mm) diam (or smaller) Regular (or heavier) copper pipe.

3. **Firestop System** — The firestop system shall consist of the following:

A. **Packing Material** — Min 3-1/2 in. (89 mm) thickness of min 6 pcf (96 kg/m³) density mineral wool batt insulation firmly packed into opening as a permanent form. Packing material to be recessed from top surface of floor or from both surfaces of wall to accommodate the required thickness of fill material (Item 3B).

B. **Fill, Void or Cavity Material*** — Min 1 in. (25 mm) thickness of fill material applied within annulus, flush with top surface of floor or both surfaces of wall.

FLAME TECH INC — Flame Guard - 814 Caulk

*Bearing the UL Classification Mark