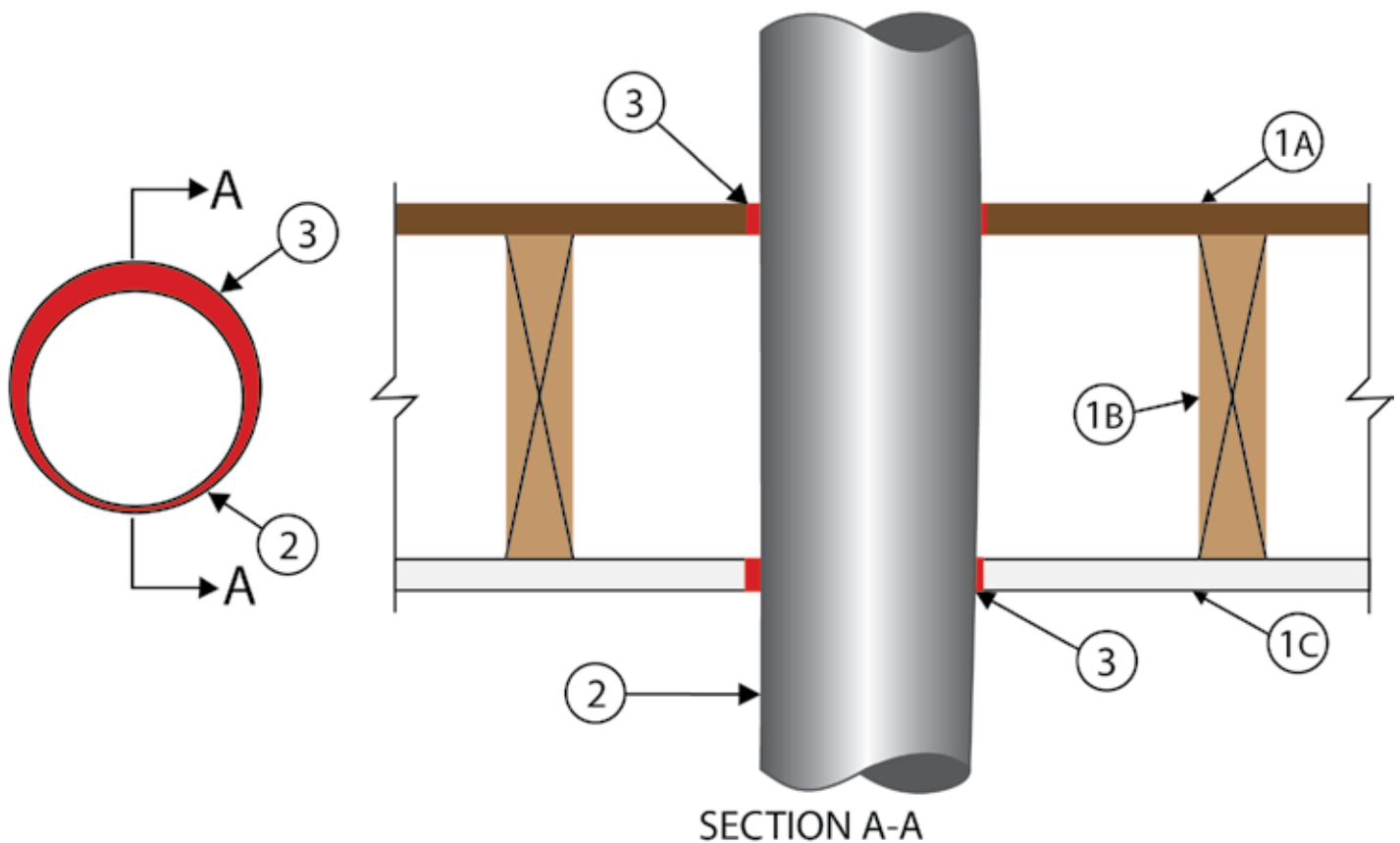


System No. F-C-7053

October 20, 2008

F Rating – 1 Hr

T Rating – 1 Hr



1. Floor - Ceiling Assembly – The 1 hr fire-rated wood joist floor-ceiling assembly shall be constructed of the materials and in the manner specified in the individual L500 Designs in the UL Fire Resistance Directory, as summarized below:

A. Flooring System – Lumber or plywood subfloor with finish floor of lumber, plywood or Floor Topping Mixture* as specified in the individual Floor-Ceiling Design. Max diam of floor opening is 7 in. (178 mm).

B. Wood Joists – Nom 10 in. (254 mm) deep (or deeper) lumber, steel or combination lumber and steel joists, trusses or Structural Wood Members* with bridging as required and with ends firestopped.

C. Gypsum Board* – Nom 5/8 in. (16 mm) thick as specified in the individual Floor-Ceiling Design. Wallboard secured to joists as specified in the individual Floor-Ceiling Design. Max diam of ceiling opening is 7 in. (178 mm).

2. Through Penetrants — Nom 6 in. (152 mm) diam (or smaller) min 30 Ga. steel duct to be installed concentrically or eccentrically within the firestop system. Duct to be rigidly supported on both sides of floor assembly.

3. Fill, Void or Cavity Material - Caulk — Min 3/4 in. (19 mm) thickness of fill material applied within annulus, flush with top surface of subfloor. In addition, min 5/8 in. (16 mm) thickness of fill material applied within annulus, flush with bottom surface of ceiling. At point contact locations, a min 1/4 in. (6 mm) diam bead of fill material shall be applied to the subfloor/duct and ceiling/duct interfaces.

FLAME TECH INC — Firestop-814+

***Bearing the UL Classification Mark**