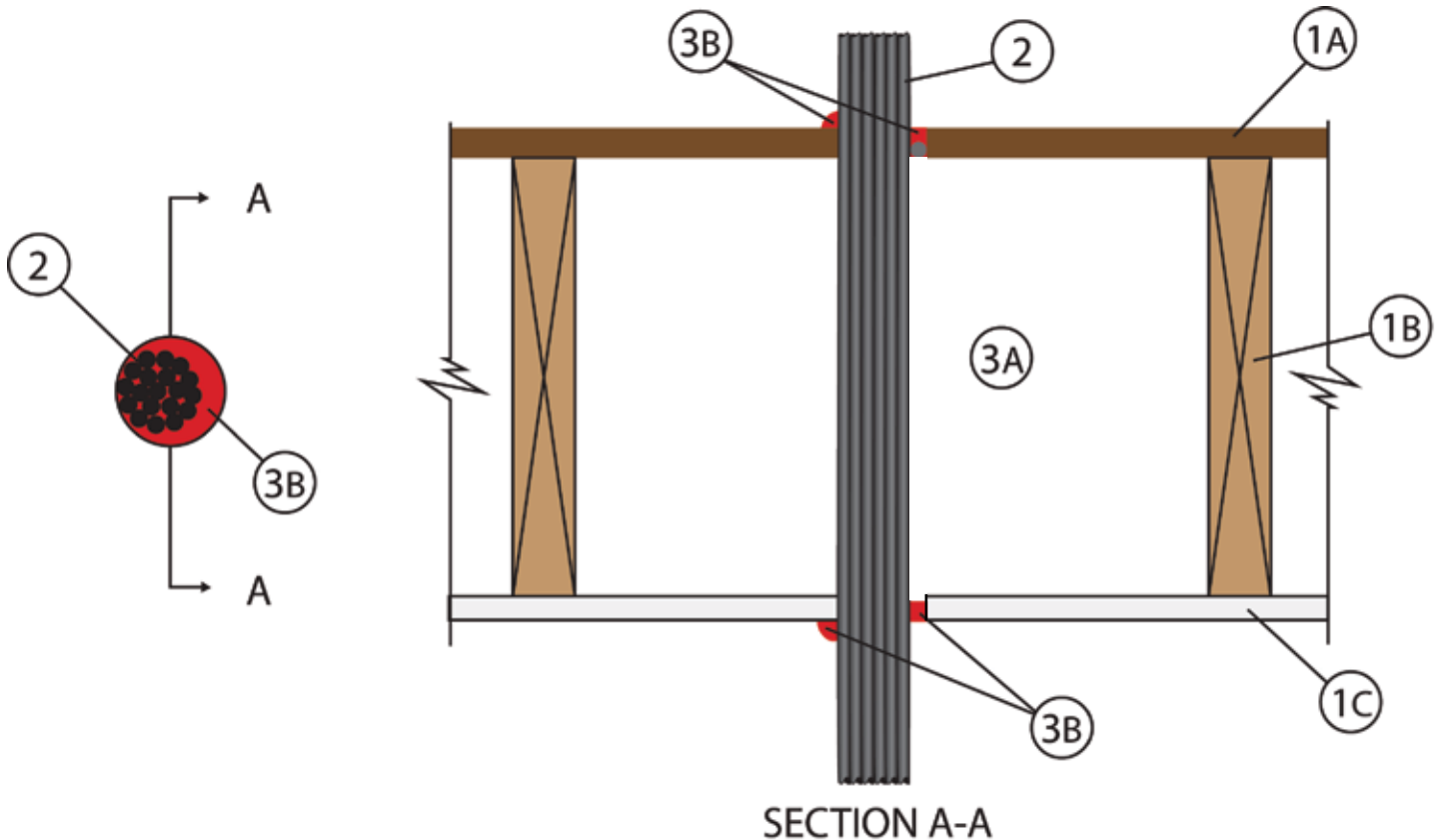


# System No. F-C-3095

June 13, 2006

F Rating – 1 Hr

T Rating – 1 Hr



**1. Floor or Wall Assembly – The 1 hr fire-rated wood joist floor-ceiling assembly shall be constructed of the materials and in the manner specified in the individual L500 Designs in the UL Fire Resistance Directory, as summarized below:**

**A. Flooring System – Lumber or plywood subfloor with finish floor of lumber, plywood or Floor Topping Mixture\* as specified in the individual Floor-Ceiling Design. Max diam of opening is 1-3/4 in.**

**B. Wood Joists – Nom 10 in. deep (or deeper) lumber, steel or combination lumber and steel joists, trusses or Structural Wood Members\* with bridging as required and with ends firestopped.**

**C. Gypsum Board\* – Nom 5/8 in. thick as specified in the individual Floor-Ceiling Design. Max diam of opening is 1-3/4 in.**

**2. Cables — Aggregate cross-sectional area of cables in opening to be min 10 to max 46 percent of the cross-sectional area of the opening. Cables to be tightly bundled with bundle installed eccentrically or concentrically within openings. Annular space to be min 0 in. (point contact) to max 5/8 in. Cables to be rigidly supported on both sides of floor assembly. Any combination of the following types and sizes of copper conductor cables may be used:**

- A. Max 2/C with ground, No. 12 AWG MC (BX) cable with polyvinyl chloride (PVC) insulation on conductors inside a steel armored jacket.**
- B. Max 3/C with ground, No. 12 AWG (or smaller) nonmetallic sheathed (Romex) cable with copper conductors, PVC insulation and jacket.**
- C. Max 25 pair No. 20 AWG (or smaller) copper conductor telephone cable with XLPE/PVC insulation, with or without PVC jacket.**
- D. Max RG59/U (or smaller) television coaxial cable with fluorinated ethylene insulation and jacketing.**
- E. Max 4 pair No. 24 AWG (or smaller) copper conductor data cable with Hylar insulation and jacketing.**
- F. Max 2/C No. 22 AWG (or smaller) copper conductor alarm cable with PVC insulation.**
- G. Max 1/C No. 14 AWG (or smaller) Type MTW or THHN or THWN or gas & oil res II 600V (UL) or AWM VW-1 power cable.**
- H. Max 1/C No. 10 AWG (or smaller) Type THHN or THWN gasoline & oil resistant II 600V VW-1 E116364 (UL) power cable.**
- I. Max 4/C No. 18 AWG Type CL-2 Barostat II Sun res (UL) Listed thermostat cable.**
- J. Max 3/C with ground, No. 18 ga. Manhattan / CDT-F P/N M244826 E-120910 Foil Shield, 300V CMP (UL) c(UL).**
- K. Max 6/C Commscope Optical Reach 2001 006 fiber optic cable.**

**3. Firestop System — The firestop system shall consist of the following:**

- A. Packing Material — Foam backer rod firmly packed into opening as a permanent form. Packing material to be recessed from top surface of subfloor as required to accommodate the required thickness of fill material.**
- B. Fill, Void or Cavity Material\* — Caulk — Min 1/4 in. thickness of fill material applied within annulus, flush with top surface of subfloor and min 1/2 in. thickness of fill material applied within the annulus, flush with ceiling. At point contact location, 1/2 in. diam bead of caulk applied at interface of cables and periphery of opening on top surface of floor and bottom surface of ceiling.**

**FLAME TECH INC — Firestop-814+**

**\*Bearing the UL Classification Mark**